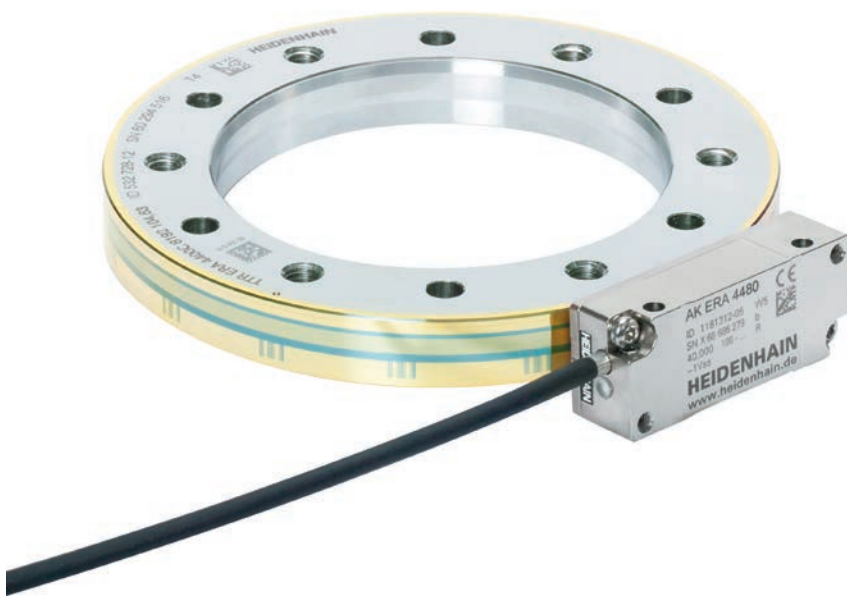




HEIDENHAIN



Product Information

ERA 4000

Incremental Modular
Angle Encoder with
Optimized Scanning

Fault exclusion for the loosening of the mechanical connection

The sizing of mechanical connections in a drive system is the task of the machine manufacturer. During the mechanical design phase, the OEM will ideally consider the conditions within the application. Verifying a safe connection, however, is both cost- and time-intensive. That's why HEIDENHAIN has developed a type-examined mechanical fault exclusion for the ERA 4000.

This fault exclusion has been qualified for a wide range of encoder applications and is ensured for the operating conditions listed below. Due to the wide temperature range and numerous material characteristics, as well as the maximum permissible shaft speeds and accelerations, the scale drum requires an interference fit. The required size of this interference fit, taking all of the safety factors into account, necessitates a shrink fit for the scale drum and directly affects the required fitting temperature.

Mounting with mechanical fault exclusion is optional. If the safety design does not call for a mechanical fault exclusion, then the drum can also be fastened without an interference fit (see **W1** under *Dimensions*).

Both mounting options and their various requirements are described in the documentation.

Mechanical connection	Fastening	Safe position for mechanical coupling ³⁾	Specifications subject to constraints ⁴⁾
Scale drum	Interference fit as per dimension drawing: Screw connection: ^{1) 2)} ISO 4762-M5x20-8.8 screws ISO 4762-M6x25-8.8 screws	Drum outside diameters ranging from 76.75 mm to 127.64 mm: $\pm 0.015^\circ$	See specifications: <ul style="list-style-type: none"> • Vibration • Shock • Maximum angular acceleration
Scanning head	Mounting type I: Screw connection: ²⁾ ISO 4762-M3x25-8.8 screws	Drum outside diameters greater than 127.64 mm: $\pm 0.0^\circ$	See mounting information: <ul style="list-style-type: none"> • Usable materials • Mounting conditions
	Mounting type II: Screw connection: ²⁾ ISO 4762-M3x16-8.8 screws		

¹⁾ A material bonding anti-rotation lock must be used for the screw connections of the scale drums (mounting/servicing)

²⁾ Friction class B as per VDI 2230

³⁾ Fault exclusions exist only for the explicitly stated mounting conditions

⁴⁾ As opposed to the ERA 4000 without mechanical fault exclusion

Material

For the mating shaft and the mating stators, use materials in accordance with the table.

Mounting temperature

All information on screw connections is based on a mounting temperature of 15 °C to 35 °C.

Mounting the scale drum

An oversize of the shaft is required for fault exclusion. The preferred method is to thermally shrink the TTR ERA 4x00 scale drum onto the mating shaft and fasten it with screws. For this purpose, the scale drum must be slowly heated prior to mounting. This can be conveniently done with an oven or heating plate. The diagram shows the recommended minimum temperatures for the different drum diameters. The maximum temperature must not exceed 140 °C.

During shrink-fitting, make sure that the hole patterns of the scale drum and mating shaft are properly aligned. Appropriate centering aids (setscrews) can facilitate mounting. All of the mounting screws must be retightened at the correct torque after the scale drum has cooled. The mounting screws used for the assembly of the scanning head and scale drum may be used only to secure the scanning head and the scale drum. These screws may not be used to additionally fasten other components.

Removing the scale drum

The scale drum is removed using the relevant back-off threads in the drum. To do so, screw in greased screws, and tighten them in a row until the scale drum comes off the shaft.

Mounting the scanning head

Ensure that the diameter specifications for all encoder components match (scale drum, scanning head, mounting aid). The relevant information is indicated on the respective ID labels.

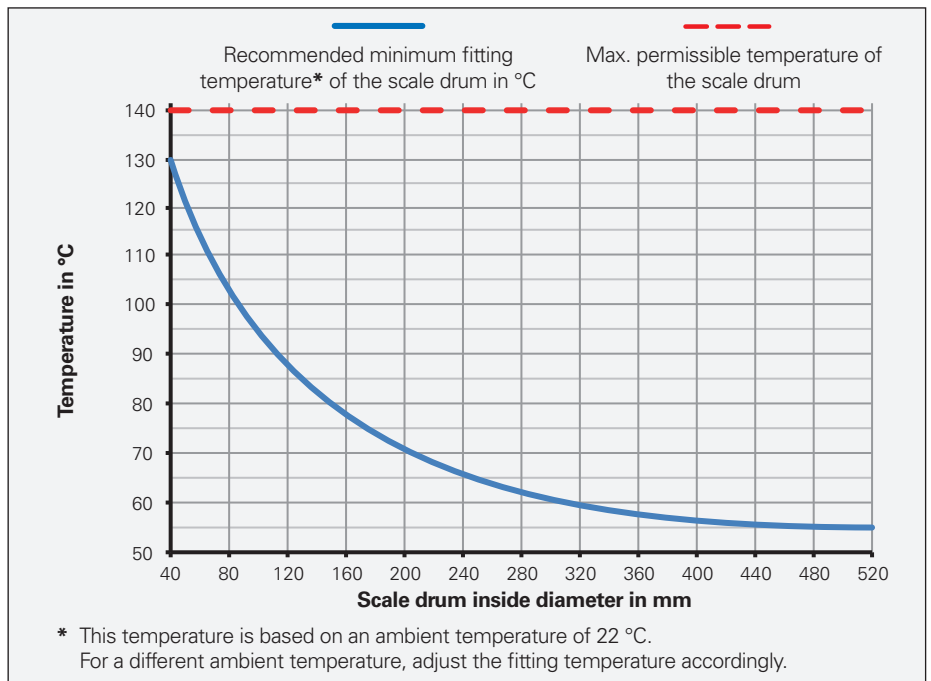
Accessory:

- Mounting aid (corresponding to drum diameter)

Mating shaft/mating stator

Material	Steel
Tensile strength R_m	$\geq 600 \text{ N/mm}^2$
Shear strength τ_m	$\geq 390 \text{ N/mm}^2$
Modulus of elasticity	$\geq 200\,000 \text{ N/mm}^2$ to $215\,000 \text{ N/mm}^2$
Coefficient of thermal expansion $\alpha_{\text{therm}}^{1)}$	$10 \cdot 10^{-6} \text{ K}^{-1}$ to $13 \cdot 10^{-6} \text{ K}^{-1}$

¹⁾ Others upon request



Function indicator

The ERA 4000 angle encoders possess a built-in function indicator in the form of a multicolor LED, permitting fast and easy signal-quality checks during operation.

This feature provides a number of benefits:

- Scanning-signal quality visualization through a multicolor LED
- Continuous monitoring of incremental signals over the entire measuring length
- Indication of reference-mark signal behavior
- Quick operating checks in the field without additional aids

The built-in function indicator permits both reliable assessment of the incremental signals and inspection of the reference mark signal. The quality of the **incremental signals** is indicated by a range of colors permitting quite detailed signal-quality differentiation. The tolerance conformity of the **reference mark signal** is shown by means of a pass/fail indicator.



ERA 4000 with function indicator in the scanning head

LED indicator for incremental signals

LED color	Quality of the scanning signals
●	Optimal
●	Good
●	Acceptable
●	Unsatisfactory

LED indicator for reference-mark-signal

(operating check)

When the reference mark is traversed, the LED briefly lights up in red or blue:

● Out of tolerance

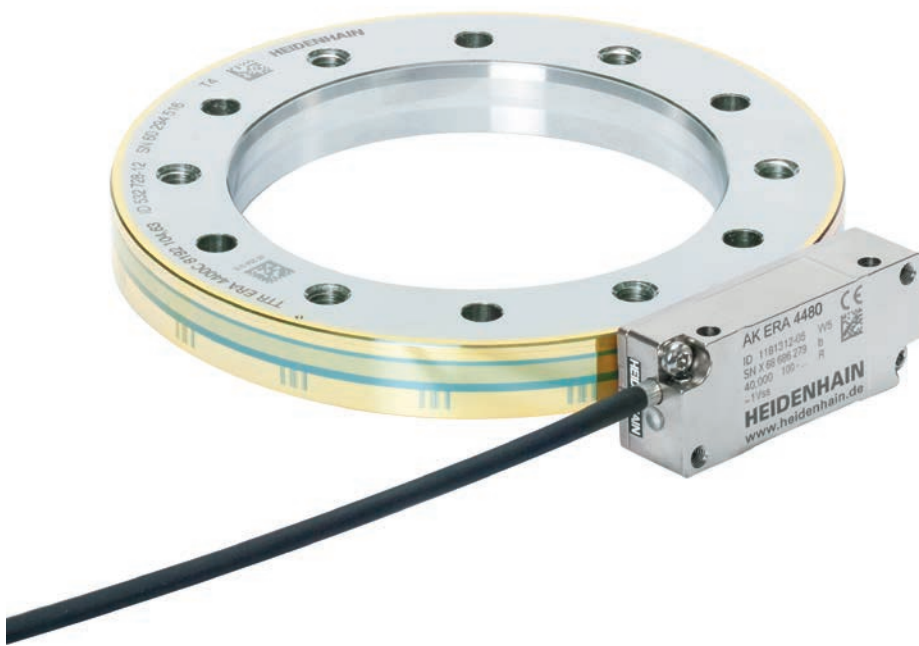
● In tolerance

ERA 4000 series

High-accuracy incremental angle encoder

- Steel scale drum with three-point centering or centering collar
- Optimized scanning performance for very high reliability
- Integrated three-color LED function indicator
- Consists of a scanning head and scale drum

Scanning head	AK ERA 4280 with 20 µm graduation period AK ERA 4480 with 40 µm graduation period AK ERA 4880 with 80 µm graduation period
Interface	~ 1 V _{PP} HSP
Cutoff frequency -3 dB	1 MHz
Electrical connection	1 m or 3 m cable 12-pin M12 coupling or 12-pin M23 coupling or 15-pin D-sub connector
Cable length	≤ 150 m (with HEIDENHAIN cable)
Supply voltage	DC 5 V ±0.5 V
Current consumption	< 130 mA (without load)
Vibration 55 Hz to 2000 Hz	With mechanical fault exclusion: ≤ 200 m/s ² (EN 60068-2-6) Without mechanical fault exclusion: ≤ 200 m/s ² (EN 60068-2-6)
Shock 11 ms 6 ms	With mechanical fault exclusion: ≤ 200 m/s ² (EN 60068-2-27) Without mechanical fault exclusion: ≤ 1000 m/s ² (EN 60068-2-27)
Operating temperature	-10 °C to 70 °C
Relative air humidity	≤ 93% (at 40 °C/4d as per EN 60068-2-78); condensation excluded
Protection	IP40
Mass Scanning head Cable Coupling (M12) Coupling (M23) D-sub connector	≈ 20 g (without cable) ≈ 20 g/m ≈ 15 g ≈ 50 g ≈ 32 g



Scale drum with centering collar

Measuring standard

Coefficient of expansion

Signal periods/ interpolation error per signal period¹⁾	ERA 4200
	ERA 4400
	ERA 4800

Accuracy of graduation

Reference marks

Drum inside diameter*

Drum outside diameter*

Mechanically permissible speed

with mechanical fault exclusion

without mechanical fault exclusion

Moment of inertia

Maximum angular acceleration
with mechanical fault exclusion

Permissible axial movement

Protection EN 60529

Mass

TTR ERA 4200 C with 20 µm graduation period TTR ERA 4400 C with 40 µm graduation period TTR ERA 4800 C with 80 µm graduation period									
Steel drum $\alpha_{\text{therm}} \approx 10.4 \cdot 10^{-6} \text{ K}^{-1}$									
–	16384/±0.24"	20000/±0.19"	28000/±0.14"	32768/±0.12"	40000/±0.10"	52000/±0.07"	–	–	–
6000/±1.08"	8192/±0.79"	10000/±0.65"	14000/±0.46"	16384/±0.40"	20000/±0.32"	26000/±0.25"	38000/±0.17"	44000/±0.15"	–
3000/±2.16"	4096/±1.58"	5000/±1.30"	7000/±0.93"	8192/±0.79"	10000/±0.65"	13000/±0.50"	–	–	–
±5"	±3.7"	±3"	±2.5"	±2.5"	±2.5"	±2.5"	±2"	±2"	±2"
Distance-coded or one									
40 mm	70 mm	80 mm	120 mm	150 mm	180 mm	270 mm	425 mm	512 mm	–
76.75 mm	104.63 mm	127.64 mm	178.55 mm	208.89 mm	254.93 mm	331.31 mm	484.07 mm	560.46 mm	–
10000 rpm	8500 rpm	6250 rpm	4500 rpm	4250 rpm	3250 rpm	2500 rpm	1800 rpm	1500 rpm	–
20000 rpm	15000 rpm	12250 rpm	8750 rpm	7500 rpm	6250 rpm	4750 rpm	3250 rpm	2750 rpm	–
$0.27 \cdot 10^{-3} \text{ kgm}^2$	$0.81 \cdot 10^{-3} \text{ kgm}^2$	$1.9 \cdot 10^{-3} \text{ kgm}^2$	$7.1 \cdot 10^{-3} \text{ kgm}^2$	$12 \cdot 10^{-3} \text{ kgm}^2$	$28 \cdot 10^{-3} \text{ kgm}^2$	$59 \cdot 10^{-3} \text{ kgm}^2$	$195 \cdot 10^{-3} \text{ kgm}^2$	$258 \cdot 10^{-3} \text{ kgm}^2$	–
20000 rad/s ²	14000 rad/s ²	6600 rad/s ²	2700 rad/s ²	1800 rad/s ²	1000 rad/s ²	1300 rad/s ²	900 rad/s ²	1200 rad/s ²	–
≤ ±0.5 mm (scale drum relative to the scanning head)									
Complete encoder in mounted condition: IP00									
≈ 0.28 kg	≈ 0.41 kg	≈ 0.68 kg	≈ 1.2 kg	≈ 1.5 kg	≈ 2.3 kg	≈ 2.6 kg	≈ 3.8 kg	≈ 3.6 kg	–

* Please select when ordering

¹⁾ The interpolation error within one signal period and the accuracy of the graduation together yield the encoder-specific error; for additional error from mounting and bearing of the measured shaft, see *Measuring accuracy*

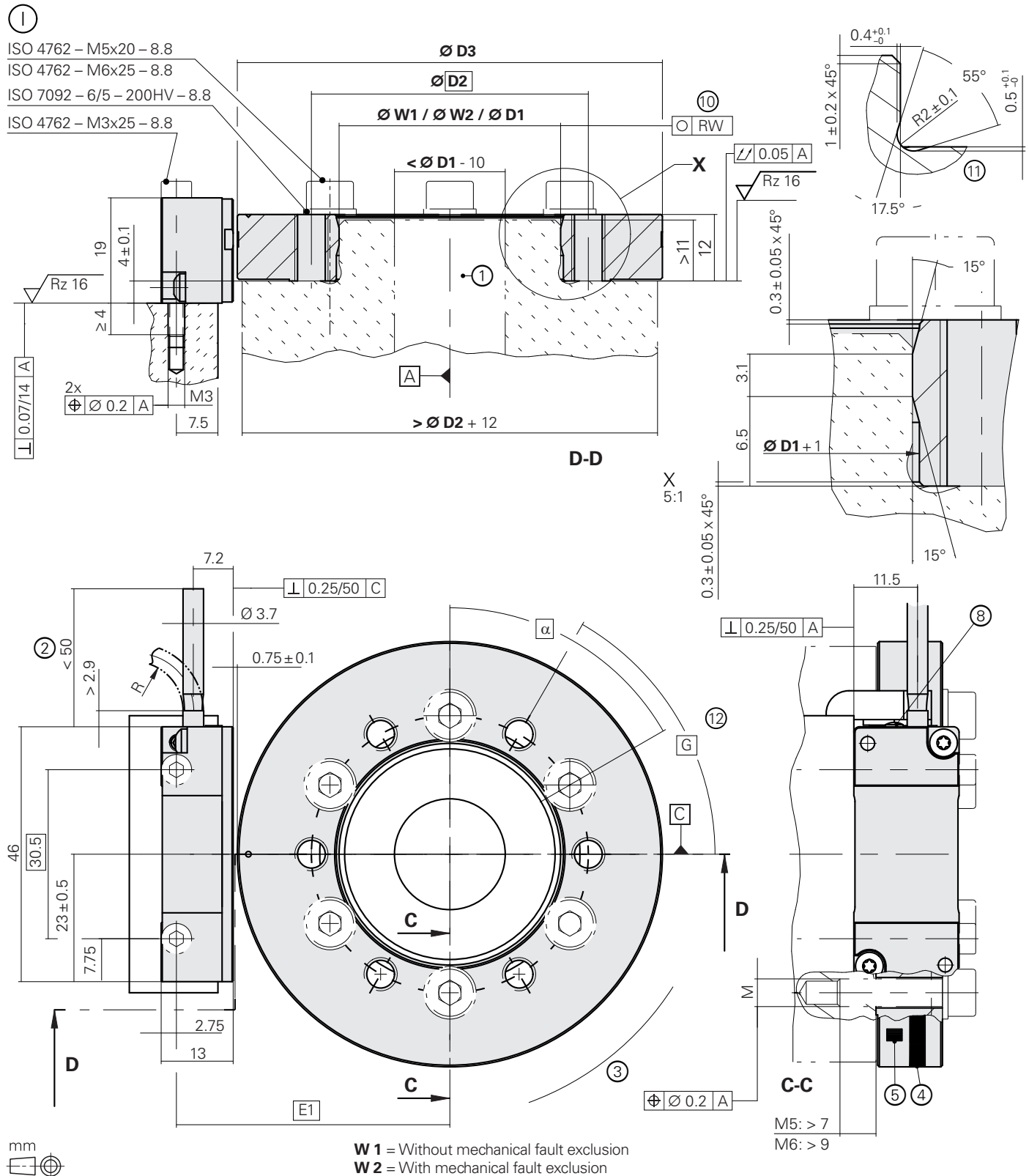
Scale drum with three-point centering	TTR ERA 4202C with 20 µm graduation period					
Measuring standard Coefficient of expansion	Steel drum $\alpha_{\text{therm}} \approx 10.4 \cdot 10^{-6} \text{ K}^{-1}$					
Signal periods	16384	20000	28000	32768	40000	52000
Accuracy of graduation	±3"	±2.5"	±2"	±1.9"	±1.8"	±1.7"
Interpolation error per signal period¹⁾	±0.24"	±0.19"	±0.14"	±0.12"	±0.10"	±0.07"
Reference marks	Distance-coded or one					
Drum inside diameter*	70 mm	80 mm	120 mm/ 150 mm	150 mm/ 185 mm	180 mm/ 210 mm	270 mm
Drum outside diameter*	104.63 mm	127.64 mm	178.55 mm	208.89 mm	254.93 mm	331.31 mm
Mech. permissible speed	15000 rpm	12250 rpm	8750 rpm	7500 rpm	6250 rpm	4750 rpm
Moment of inertia	$0.83 \cdot 10^{-3} \text{ kgm}^2$	$2.0 \cdot 10^{-3} \text{ kgm}^2$	$7.1/4.5 \cdot 10^{-3} \text{ kgm}^2$	$12/6.4 \cdot 10^{-3} \text{ kgm}^2$	$28/20 \cdot 10^{-3} \text{ kgm}^2$	$59 \cdot 10^{-3} \text{ kgm}^2$
Permissible axial movement	≤ ±0.5 mm (scale drum relative to the scanning head)					
Protection EN 60529	Complete encoder in mounted condition: IP00					
Mass	≈ 0.42 kg	≈ 0.69 kg	≈ 1.2 kg/ 0.66 kg	≈ 1.5 kg/ 0.66 kg	≈ 2.3 kg/ 1.5 kg	≈ 2.6 kg

* Please select when ordering

¹⁾ The interpolation error within one signal period and the accuracy of the graduation together yield the encoder-specific error; for additional error from mounting and bearing of the measured shaft, see *Measuring accuracy*

ERA 4280C, ERA 4480C, ERA 4880C

Dimensions



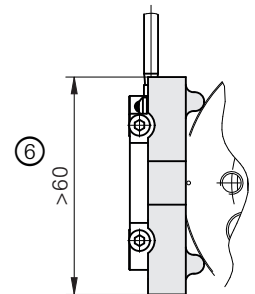
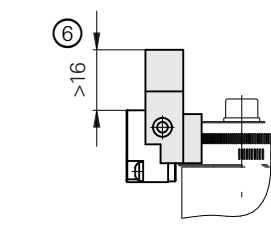
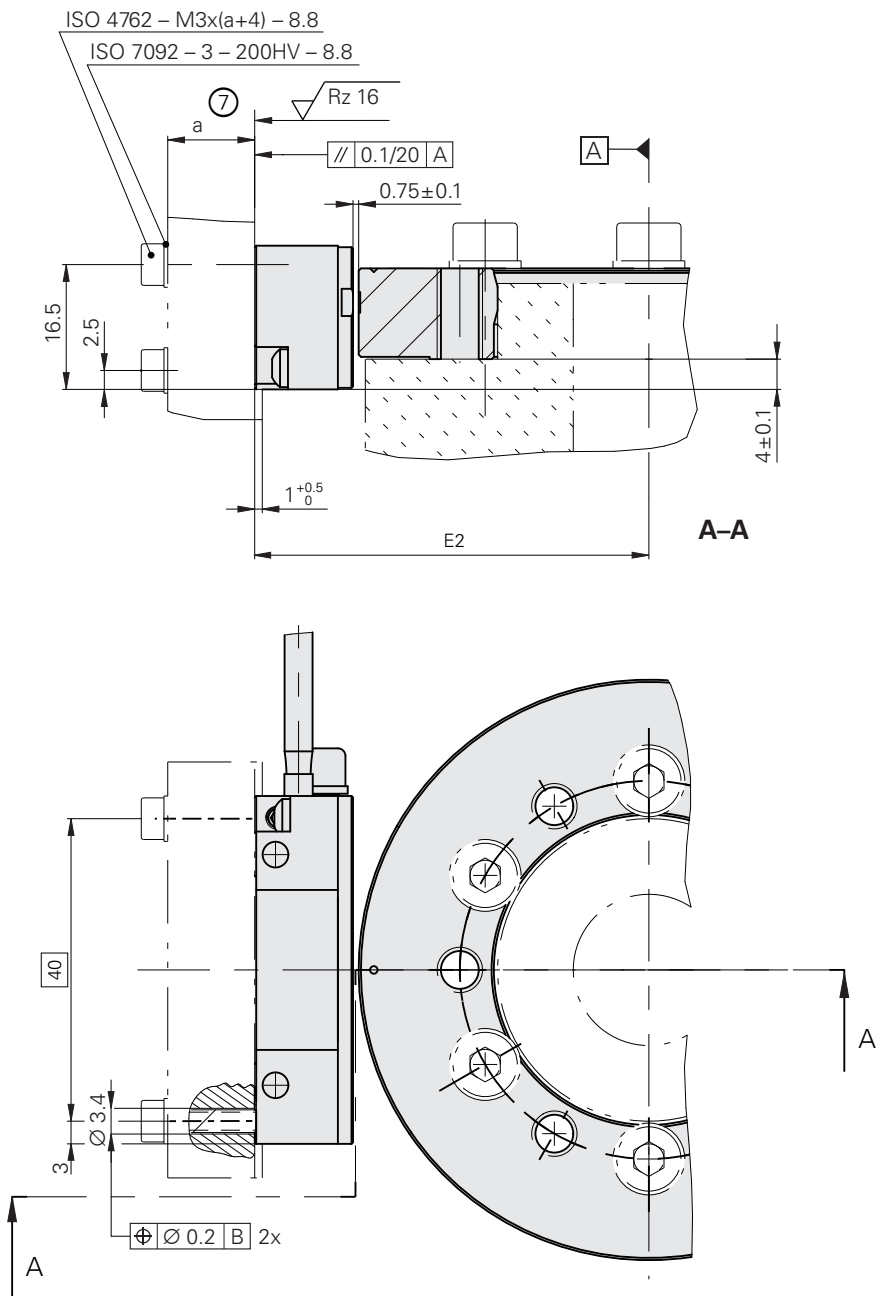
mm
 Tolerancing ISO 8015
 ISO 2768 - m H
 ≤ 6 mm: ± 0.2 mm

- ①, ② = Mounting possibilities
- ▢ = Bearing of mating shaft
- W = Mating diameter (shaft)
- 1 = Permissible axial motion of the measured shaft: $\leq \pm 0.5$ mm
- 2 = Cable support

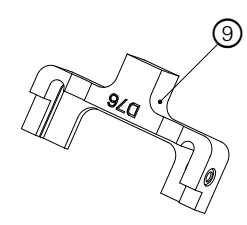
- 3 = Positive direction of rotation
- 4 = Incremental track
- 5 = Reference pulse track
- 6 = Space for mounting aid
- 7 = With mechanical fault exclusion: $a = 11.5$ mm ± 0.1 mm

- 8 = Function indicator
- 9 = Mounting aid (accessory)
- 10 = Roundness of mating diameter (shaft)
- 11 = Proposed design for undercut
- 12 = Back-off thread; not permitted for drum fastening

II



1:1



1:1

D1	W1	W2	RW	D2	D3	E1	E2	α	M	G
Ø 40 -0.001/-0.005	Ø 40 +0.004	Ø 40 +0.004/+0.000	0.001	Ø 40	Ø 76.75	49.38	52.13	6x60°	6x M5	6x M6
Ø 70 -0.001/-0.005	Ø 70 +0.005	Ø 70 +0.007/+0.002	0.001	Ø 85	Ø 104.63	63.32	66.07	6x60°	6x M5	6x M6
Ø 80 -0.001/-0.005	Ø 80 +0.006	Ø 80 +0.009/+0.003	0.0015	Ø 95	Ø 127.64	74.82	77.57	6x60°	6x M5	6x M6
Ø 120 -0.001/-0.008	Ø 120 +0.008	Ø 120 +0.040/+0.022	0.002	Ø 140	Ø 178.55	100.27	103.02	6x60°	6x M5	6x M6
Ø 150 -0.001/-0.008	Ø 150 +0.008	Ø 150 +0.046/+0.028	0.002	Ø 165	Ø 208.89	115.44	118.19	6x60°	6x M5	6x M6
Ø 180 -0.001/-0.008	Ø 180 +0.010	Ø 180 +0.050/+0.030	0.003	Ø 200	Ø 229.46	125.73	128.48	6x60°	6x M5	6x M6
Ø 180 -0.001/-0.008	Ø 180 +0.010	Ø 180 +0.050/+0.030	0.003	Ø 200	Ø 254.93	138.46	141.21	6x60°	6x M5	6x M6
Ø 270 0/-0.01	Ø 270 +0.012	Ø 270 +0.067/+0.044	0.003	Ø 290	Ø 331.31	176.65	179.40	12x30°	12x M5	12x M6
Ø 425 0/-0.01	Ø 425 +0.015	Ø 425 +0.094/+0.067	0.006	Ø 445	Ø 484.07	253.04	255.79	12x30°	12x M6	12x M6
Ø 512 0/-0.015	Ø 512 +0.016	Ø 512 +0.109/+0.076	0.007	Ø 528	Ø 560.46	291.23	293.98	18x20°	18x M6	12x M8

ERA 4202C

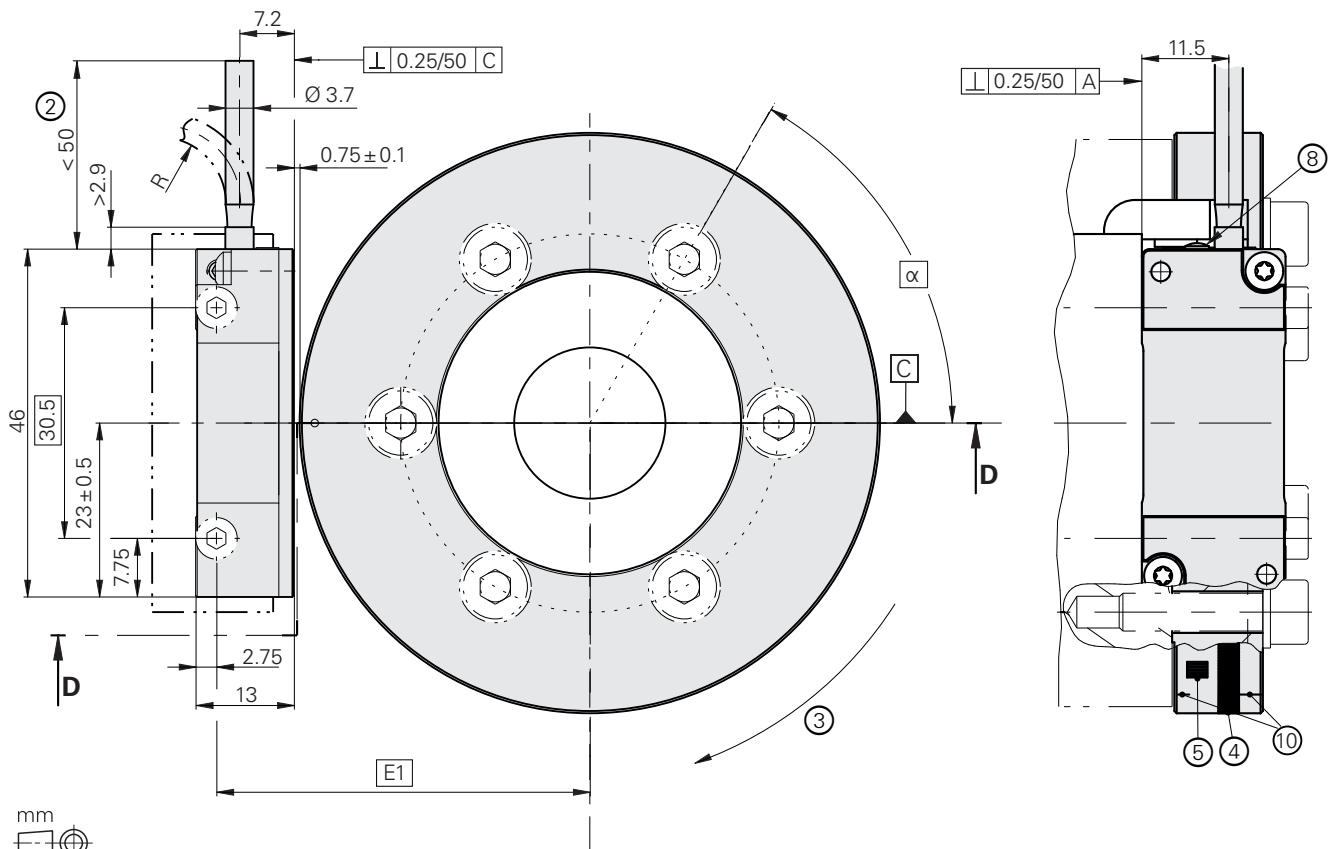
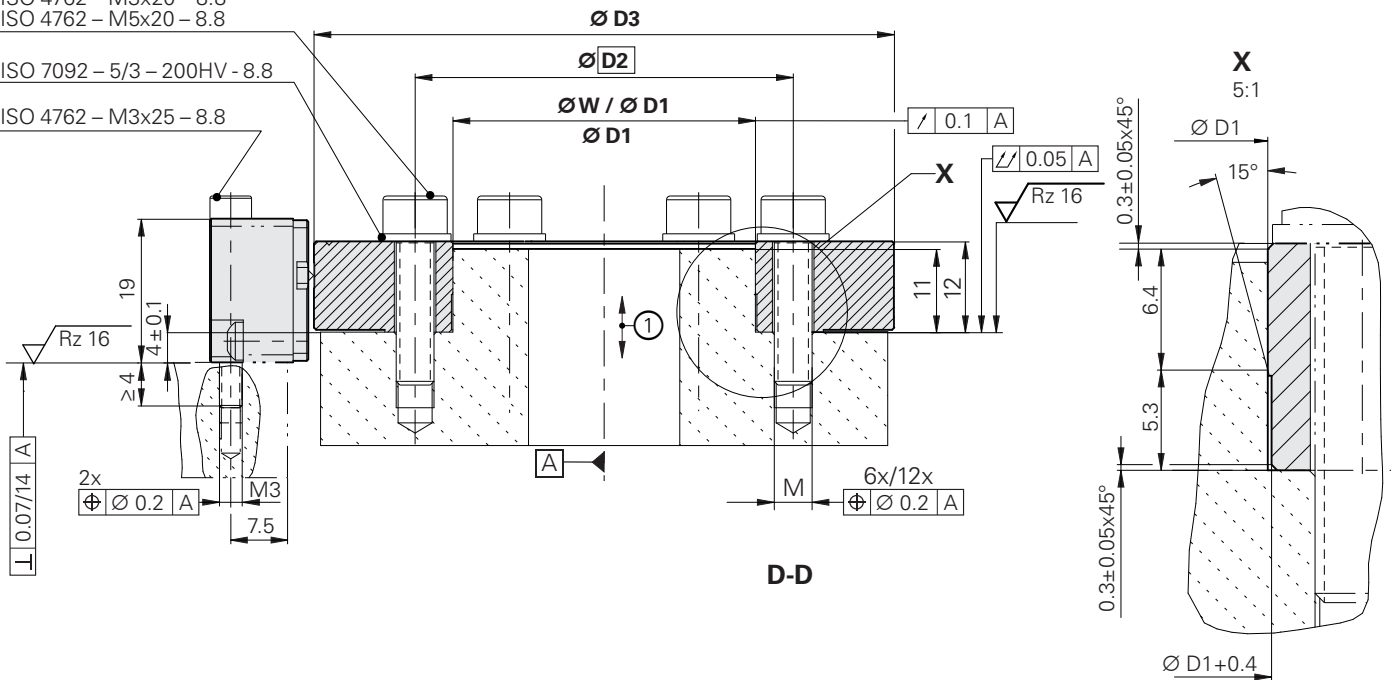
Dimensions

①

ISO 4762 – M3x20 – 8.8
ISO 4762 – M5x20 – 8.8

ISO 7092 – 5/3 – 200HV – 8.8

ISO 4762 – M3x25 – 8.8



mm



Tolerancing ISO 8015
ISO 2768 - m H
≤ 6 mm: ±0.2 mm

①, ② = Mounting possibilities

▢ = Bearing of mating shaft

W = Mating diameter (shaft)

1 = Permissible axial motion of the measured shaft: ≤ ±0.5 mm

2 = Cable support

3 = Positive direction of rotation

4 = Incremental track

5 = Reference pulse track

6 = Space for mounting aid

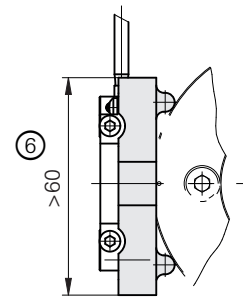
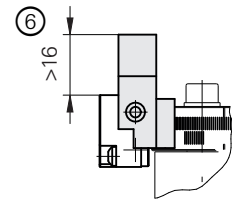
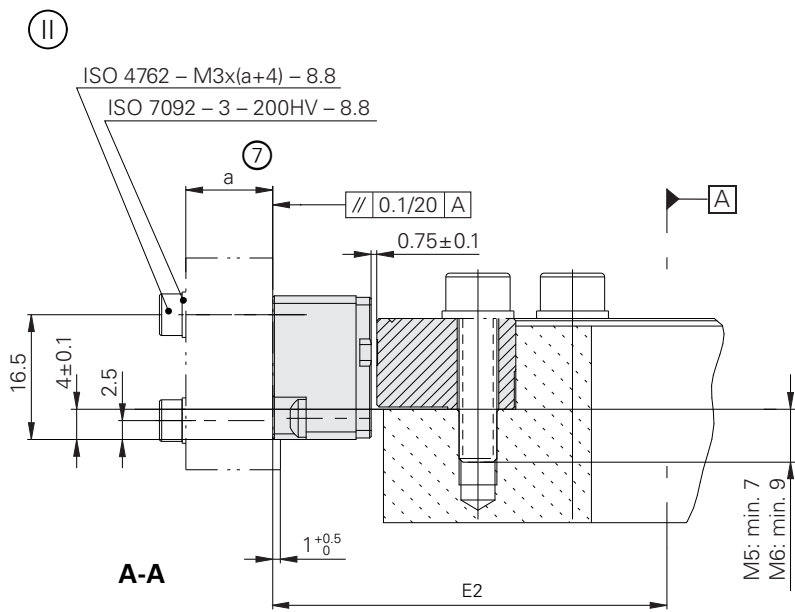
7 = With mechanical fault exclusion:

a = 11.5 mm ±0.1 mm

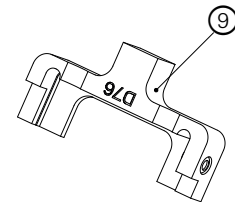
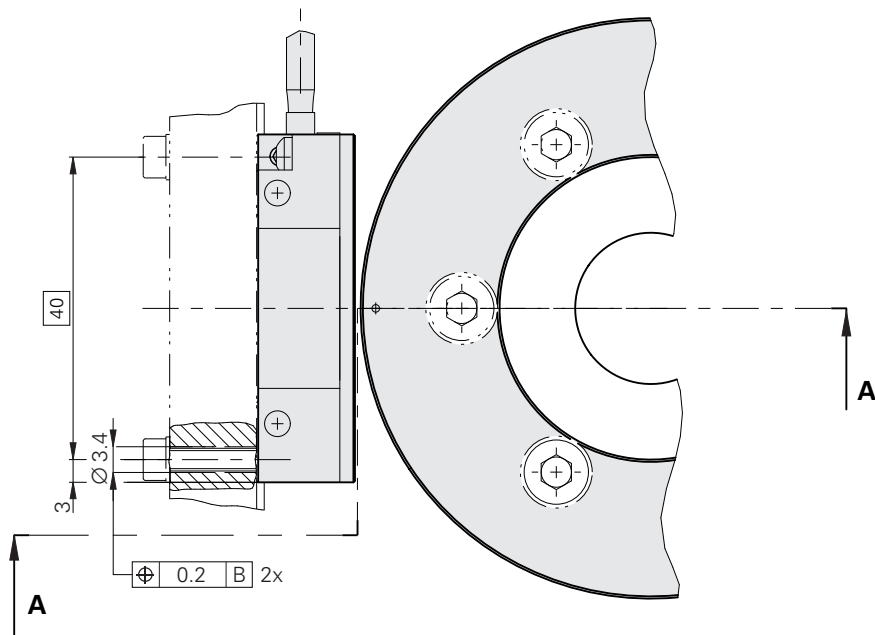
8 = Function indicator

9 = Mounting aid (accessory)

10 = Marking for drum centering (3x120°)



1:1







1:1

D1	W	D2	D3	E1	E2	α	M
Ø 40 +0.05/+0.07	Ø ≤40	Ø 50	Ø 76.75	49.38	52.13	6x60°	6x M5
Ø 70 +0.05/+0.07	Ø ≤70	Ø 85	Ø 104.63	63.32	66.07	6x60°	6x M5
Ø 80 +0.05/+0.07	Ø ≤80	Ø 95	Ø 127.64	74.82	77.57	6x60°	6x M5
Ø 120 +0.05/+0.07	Ø ≤120	Ø 140	Ø 178.55	100.27	103.02	6x60°	6x M5
Ø 150 +0.05/+0.07	Ø ≤150	Ø 165	Ø 208.89	115.44	118.19	6x60°	6x M5
Ø 180 +0.05/+0.07	Ø ≤180	Ø 200	Ø 254.93	138.46	141.21	6x60°	6x M5
Ø 50 +0.05/+0.07	Ø ≤50	Ø 58	Ø 69.39	45.70	48.45	12x30°	12x M3
Ø 185 +0.05/+0.07	Ø ≤185	Ø 197	Ø 208.89	115.44	118.19	12x30°	12x M3
Ø 150 +0.05/+0.07	Ø ≤150	Ø 163	Ø 178.55	100.27	103.02	12x30°	12x M3
Ø 210 +0.05/+0.07	Ø ≤210	Ø 230	Ø 254.93	138.46	141.21	12x30°	12x M3
Ø 216 +0.05/+0.07	Ø ≤216	Ø 236	Ø 305.84	163.92	166.67	12x30°	12x M5
Ø 270 +0.05/+0.07	Ø ≤270	Ø 290	Ø 331.31	176.65	179.40	12x30°	12x M5

Interfaces

~ 1 V_{PP} incremental signals

Pin layout

	Power supply				Incremental signals						Other signals		
 M12	12	2	10	11	5	6	8	1	3	4	9	7	/
 M12	1	11	12	5	10	2	3	4	7	8	3b	6	9
	4	12	2	10	1	9	3	11	14	7	5/6/8	13	15
	U_P	Sensor U _P	0V	Sensor 0V	A+	A-	B+	B-	R+⁽¹⁾	R-⁽¹⁾	Vacant	Reserved	Reserved
	Brown/ Green	Blue	White/ Green	White	Brown	Green	Gray	Pink	Red	Black	/	Violet	Yellow

Cable shield connected to housing; **U_P** = Power supply voltage



Sensor: The sense line is connected in the encoder with the corresponding power line.

Vacant pins or wires must not be used!



Electrical connection

Adapter cables and connecting cables

For connection to the PWT 101 or PWM 21 for deactivation of the signal stabilization

Adapter cable 12-pin M23 connector (female) and 15-pin D-sub connector (male)		1184705-01
Adapter cable 12-pin M12 connector (female) and 15-pin D-sub connector (male)		1197117-01

For the connection to the subsequent electronics

Connecting cable M12 connector (female) and M12 coupling (male)		664211-xx
Adapter cable M12 connector (female) and M23 connector (male)		645200-xx

HEIDENHAIN

DR. JOHANNES HEIDENHAIN GmbH

Dr.-Johannes-Heidenhain-Straße 5

83301 Traunreut, Germany

☎ +49 8669 31-0

FAX +49 8669 32-5061

E-mail: info@heidenhain.de

www.heidenhain.de

This Product Information document supersedes all previous editions, which thereby become invalid. The basis for ordering from HEIDENHAIN is always the Product Information document edition valid when the order is made.



Further information:

Comply with the requirements described in the following documents to ensure the correct operation of the encoder:

- Brochure: *Modular Angle Encoders with Optical Scanning*
- Brochure: *Interfaces of HEIDENHAIN Encoders*

1222041-xx

1078628-xx